

TECHNICAL DATASHEET

2043/01 Ext 2.3kg ABE Chubb

Features

The Chubb 2.3kg ABE dry chemical extinguisher features:

- Australian Standard certified to AS1841.5
- Stainless steel handle and trigger
- Mild steel polyester powder coated cylinder
- ABE (mono-ammonium phosphate) dry chemical powder.
- Rated for use on Class A, Class B and Class E fires.
- Transport style pull out pin
- Ready for use pressure indicator
- Forged brass valve
- Hose retainer
- Light duty zinc plated steel bracket for use in light commercial vehicles including buses, vans, utilities and 4-wheel drives.

Suitable for use on:

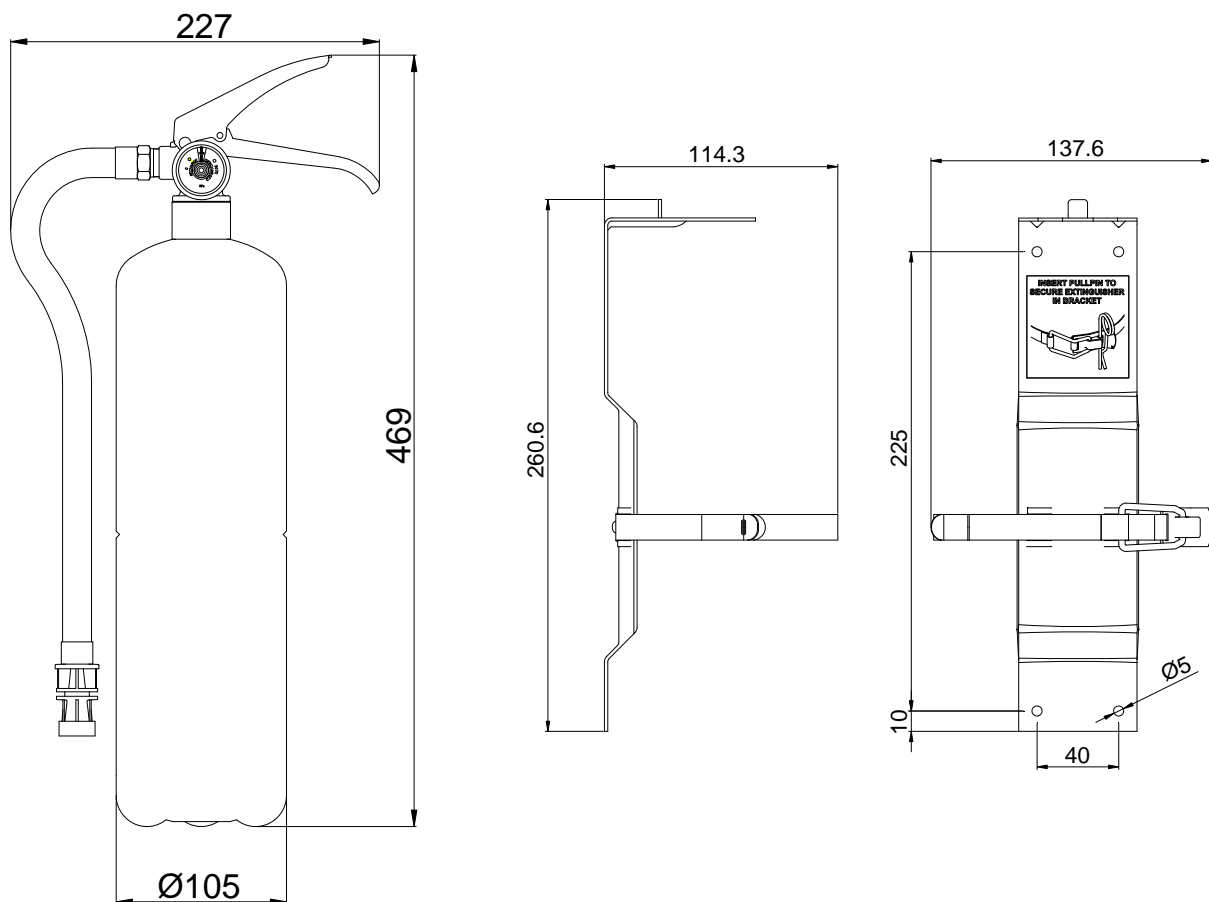
- Electrical switchboards
- Commercial Vehicles
- Boats and Caravans
- Garages

Specifications

Model Number:	2043/01
Type:	DCP (Stored pressure)
Capacity:	2.3kg (Tol: ±3%)
Contents:	ABE90 Powder
Rating:	2A:40B:E
Test Pressure:	2 MPa
Operating Pressure:	1350 kPa
Nominal Mass:	4.4kg
Discharge Time:	13 – 16 s
Nozzle Orifice:	3.5mm
Service Temperature:	-5°C to 65°C

NOTE:

Nominal mass and discharge times listed are approximate. Slight variations may occur.



Service Requirements

Service in accordance with Australian Standard AS1851.

Additional AS1851 Service Requirements:

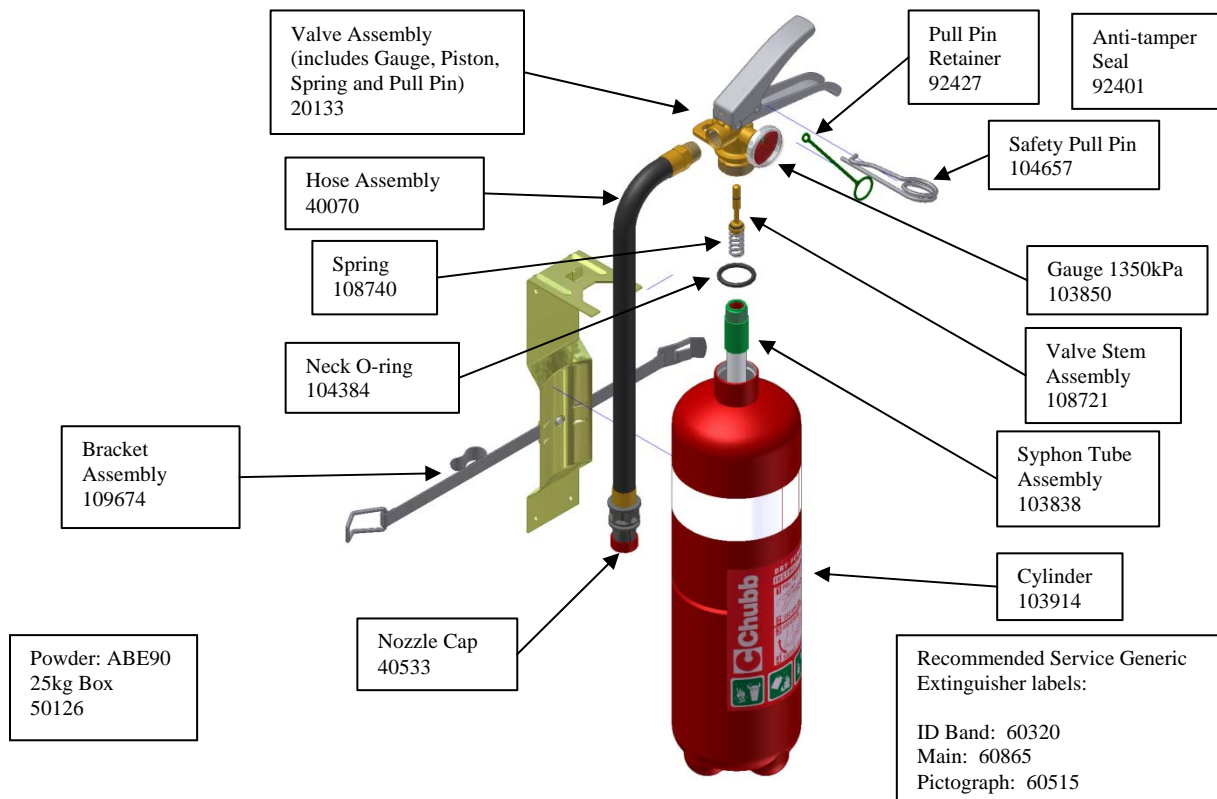
- Replace Dry Chemical Powder every five (5) years
- The recommended location for stamping the cylinder pressure test date is on the neck ring of the cylinder, consisting of figures not less than 3mm in height and shall as a minimum be of the form MM/YY, or MM/YYYY.

Recharge Instructions

CAUTION:- Ensure extinguisher is fully depressurised prior to removal of the operating head.

- 1) Expel all remaining pressure in the extinguisher by:
 - a) Discharging contents or
 - b) Unscrew operating head 2 turns only and allow pressure to vent to atmosphere.
- 2) When all pressure is expelled, fully unscrew the operating head and remove from the cylinder.
- 3) Unscrew syphon tube and remove spring and valve stem assembly.
- 4) Thoroughly clean the head and all associated components ensuring that all traces of powder are removed.
- 5) Clean the nozzle and ensure it is unblocked and free from damage.
- 6) Inspect all o-rings and seals, replace as required.
- 7) Lubricate the Neck o-ring and the top of the Valve Stem Assembly with Molykote 55M or Molykote 111.
- 8) Empty out all remaining powder from the cylinder and blow out the cylinder with dry compressed air or nitrogen.
- 9) Inspect cylinder externally and internally for damage and corrosion as per AS1851 requirements. Check cylinder date stamp and pressure test cylinder if 5 years and older. Check and clean the cylinder neck thread.
- 10) Fill the cylinder with the correct powder as specified on the extinguisher label.
- 11) Refit the operating head assembly and hand tighten.
- 12) Recharge the extinguisher with dry Nitrogen to the correct pressure as specified on the extinguisher label. Check that the extinguisher pressure indicator is in the operable range
- 13) Replace safety pin and fit anti-tamper seal. Make sure you do not accidentally discharge the contents.
- 14) Leak test all joints and seals disturbed during the service with a leak detector or submerge in a warm water bath or with the use of a leak detection solution such as "Snoop".
- 15) Ensure all maintenance records and documentation is completed.

Parts List



Note: Not all parts shown may be available stocked items.